

Terminal Type



STD

T1

T2

T3



T3/R

T3EU

T3EU/R



AX



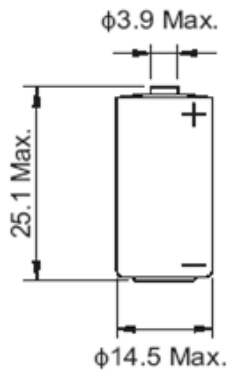
Connector



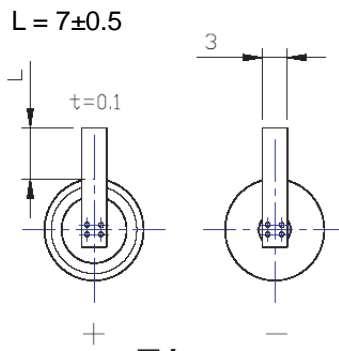
Case1



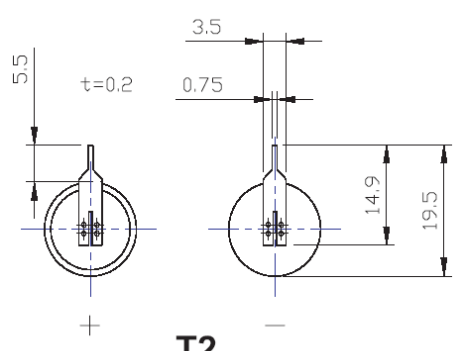
Case2



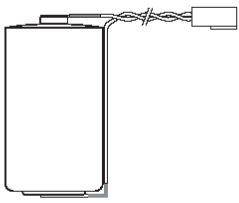
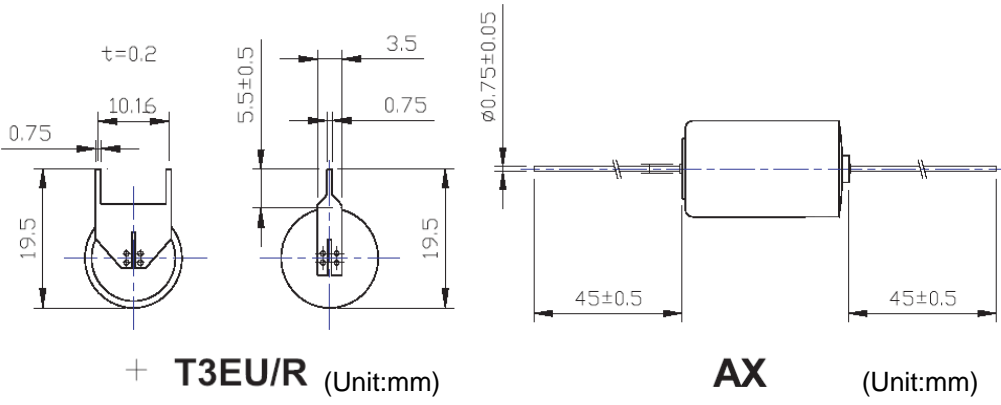
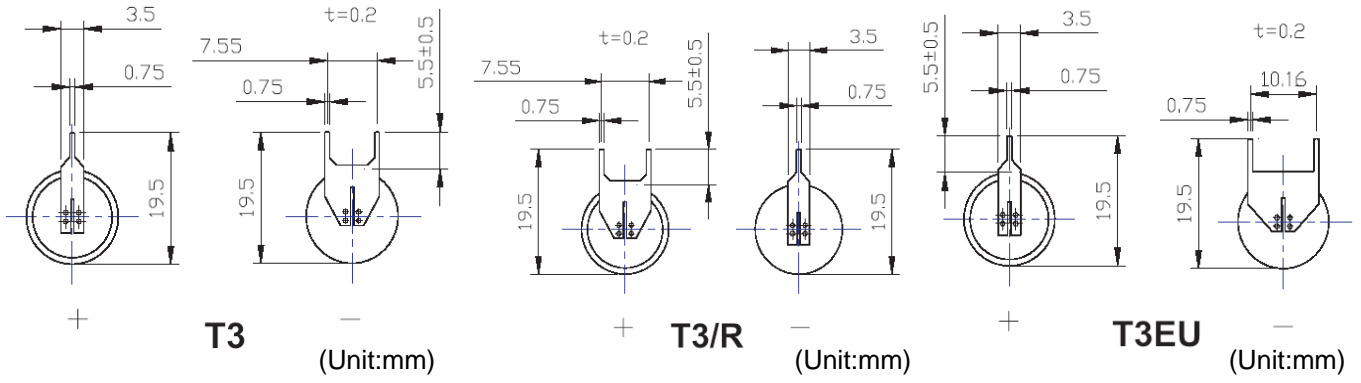
STD (Unit:mm)



T1 (Unit:mm)



T2 (Unit:mm)



Connector Type

Customer's Option with Connector Housing, Connector Pins, Wire Length, Thickness, etc.

