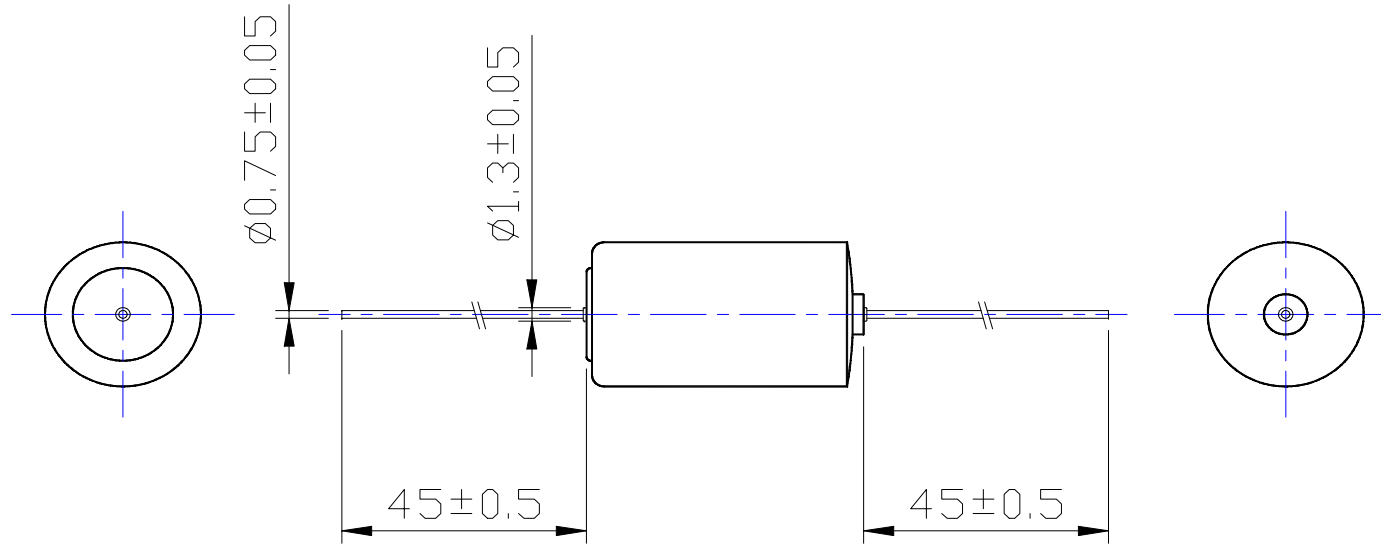


A M D E N	NO.	Date	Revision	Sign
	①			
	②			
	③			



Remarks

- Terminal Material:
Tin plated pure nickel

Specifications

Nominal Voltage: 3.6V
 Weight: 9g
 Nominal Capacity: 1.2Ah
 Operating Temperature Range: -55~85°C
 Case Material: 304 Stainless Steel

Gen.Tol		Title				
Surface		XL-050F/AX				
App.Model	XL-050F					
Projection	3 RD	Size	Unit	File No	Date	Scale
Material		A4	MM	NA	01.01.2002	NA
Drawing	Designed	Checked	Approved	Part No. S11-0050-08-00		