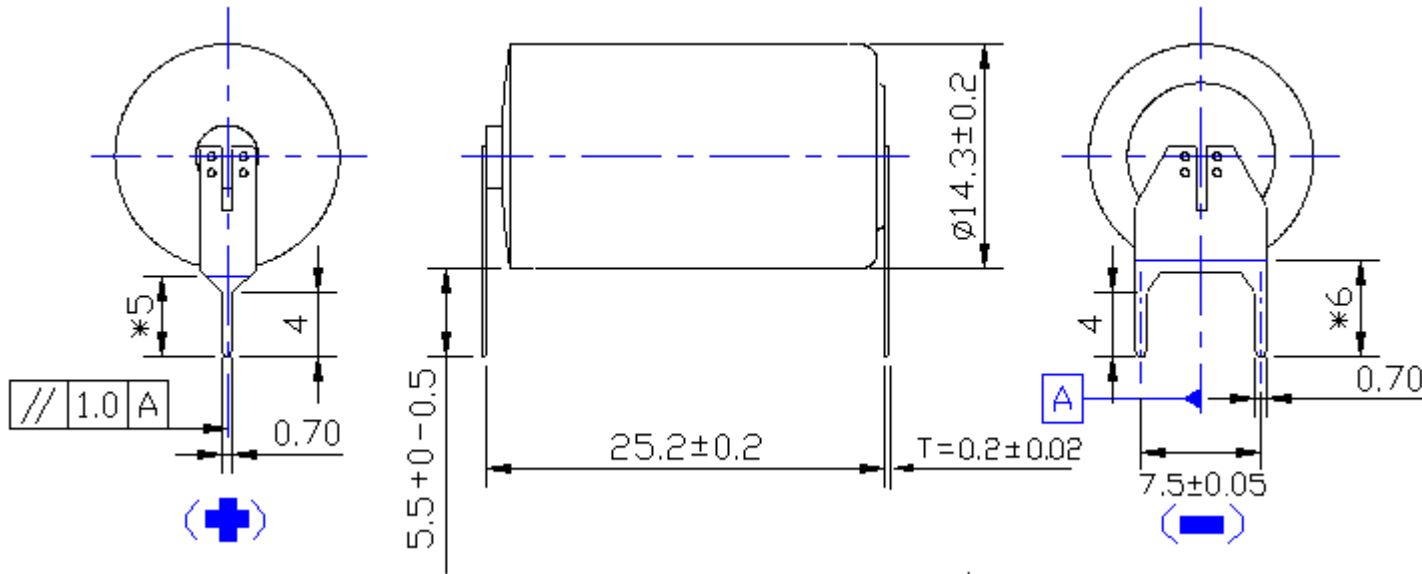


A M D E N	NO.	Date	Revision	Sign
	①			
	②			
	③			



**Remarks**

1. Dimension \*5 and \*6  
: Tin Plated, 0.5um
2. Terminal Material  
: 304 Stainless Steel

Specifications

Nominal Voltage: 3.6V  
 Nominal Capacity: 1.2Ah  
 Operating Temperature Range: -55~85°C  
 Case Material: 304 Stainless Steel

Any values are for information purpose only and it can differ from actual condition of usage and are not warranties purpose.

Gen.Tol	0.1mm	Title <b>XL-050F/T3</b>				
Surface						
App.Model	XL-050F					
Projection	3 <sup>RD</sup>	Size	Unit	File No	Date	Scale
Material		A4	MM	NA	01/01/2002	NA
Drawing	Designed	Checked	Approved	<b>Part No. S11-0050-04-00</b>		