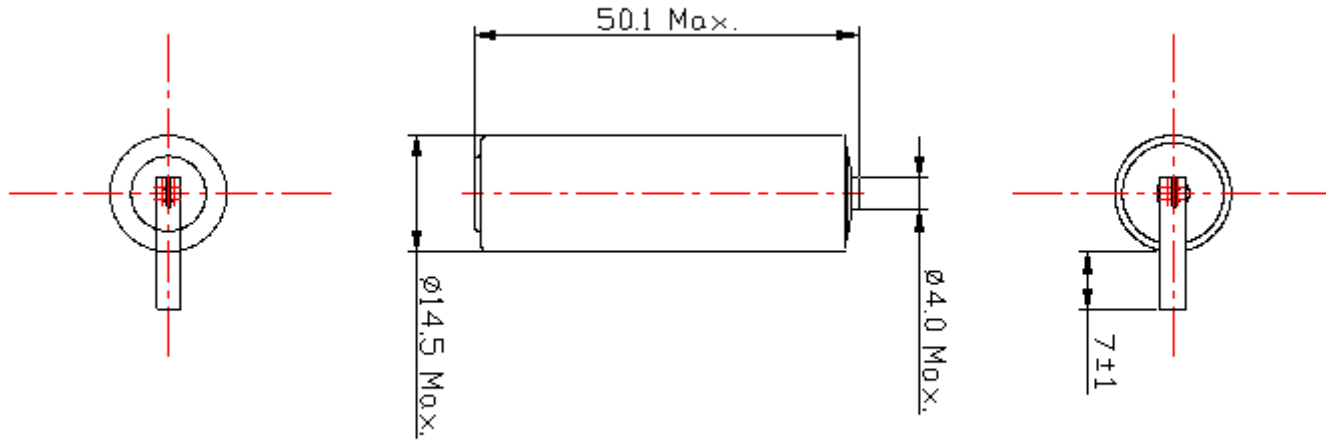


A M D E N	NO.	Date	Revision	Sign
	①			
	②			
	③			



Remarks

- Terminal Material
Pure Nickel
Thickness 0.15mm

Any values are for information purpose only and it can differ from actual condition of usage and are not warranties purpose.

Specifications

Nominal Voltage: 3.6V
 Nominal Capacity: 2.4Ah
 Operating Temperature Range: -55~+85'C
 Case Material: 304 Stainless Steel

Gen.Tol	0.1mm	Title XL-060F/T1				
Surface						
App.Model	XL-060F					
Projection	3 RD	Size	Unit	File No	Date	Scale
Material		A4	MM	NA	01/01/2010	NA
Drawing	Designed	Checked	Approved	Part No. S11-0060-02-00		